

# IB and IS series

Sealed pushbutton switches - bushing Ø 12 mm - momentary

*Distinctive features and specifications*

UG1410-A-R1



- Snap-in and threaded bushing models
- Compact, light in weight
  - Behind-panel depth of 13 mm (.512) only
  - 50 % reduction in weight compared to metallic models
- Tactile feedback
- Sealed to IP67 (IS series) or IP54 (IB series)

## ENVIRONMENTAL SPECIFICATIONS

- Front panel sealing according to IEC 60529 : IP67 (IS) or IP54 (IB)
- Shock resistance : 100 g according to IEC 512-4, test 6c
- Vibration resistance : 10-500 Hz - 10 g according to IEC 512-4, test 6d
- Salt spray : IEC 512-6, test 11f
- Operating temperature : -40°C to +85°C

## MATERIALS

- Case : thermoplastic UL94-V0
- Actuator : polyamide 6/6
- Bushing/bezel : polyamide 6/6
- Contacts : silver, gold plated
- Terminal seal : epoxy

## ELECTRICAL SPECIFICATIONS

- Max. current/voltage rating with resistive load :  
400mA 32VAC - 100mA 48VDC
- Initial contact resistance : 50 mΩ max.
- Insulation resistance : 1 GΩ min. at 500VDC
- Dielectric strength : 1.000 Vrms
- Electrical life at full load : 500.000 cycles

## AGENCY APPROVAL



2A 125VAC/250VAC  
File E83438

**Availability** : consult factory for details of approved models.

**Marking** : to order switches marked UL, complete appropriate box of ordering format.

## GENERAL SPECIFICATIONS

- Panel thickness :
  - IB series : 0,8 mm (.031) min. - 1,8 mm (.071) max.
  - IS series : 1,5 mm (.059) min. - 4 mm (.157) max.
- Total travel : 1,7 mm (.066) +/- 0,3 mm
- Typical operating force : 4N +/- 3N
- Low level or mechanical life : 1.000.000 cycles
- Torque (applied to nut) : 1 Nm max. with metal nut U166  
1,5 Nm max. with plastic nut U4248
- Soldering : 300°C max. for 3 seconds

**Panel mounting** : see next pages.

*Example of custom switch:  
see end of the series.*

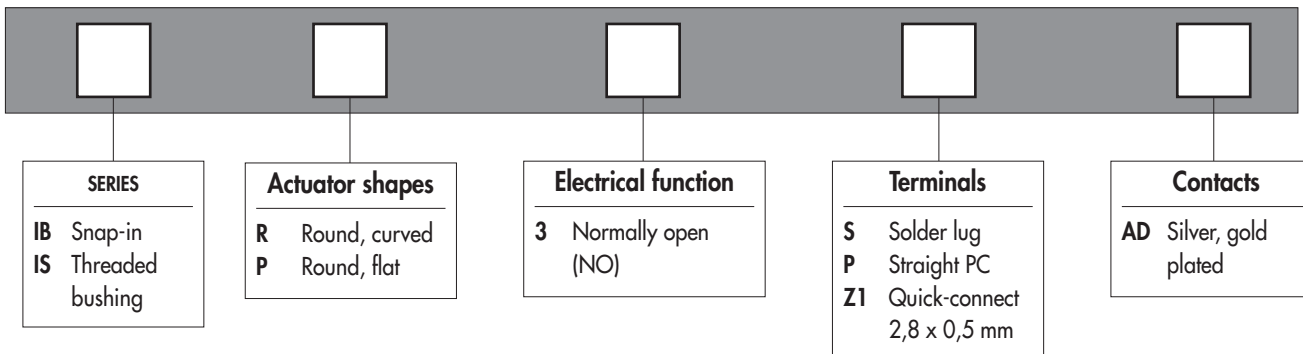
The company reserves the right to change specifications without notice.

# IB and IS series

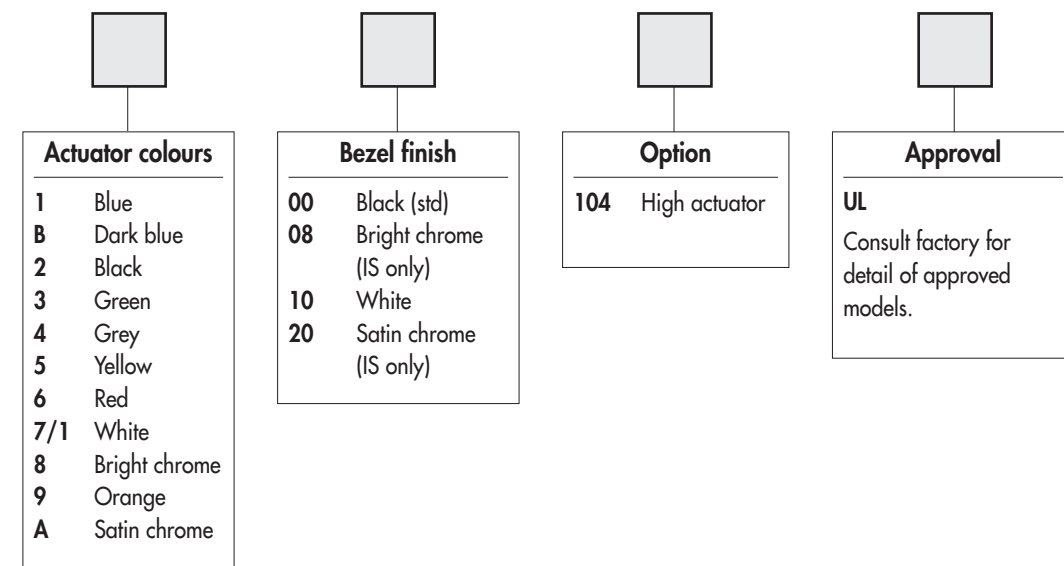
Sealed pushbutton switches - bushing Ø 12 mm - momentary

Overview

MODEL  
STRUCTURE



OPTIONS



## ABOUT THIS SERIES

On the following pages, you will find successively :

- model structure of switches and options in the same order as in above chart

**Dimensions** : first dimensions are in mm while inches are shown as bracketed numbers.



**NOTICE** : please note that not all combinations of above numbers are available. Refer to the following pages for further information.



**A sealing boot** is available to protect the switches against frost and sand. It is presented after the IA series and in section H.



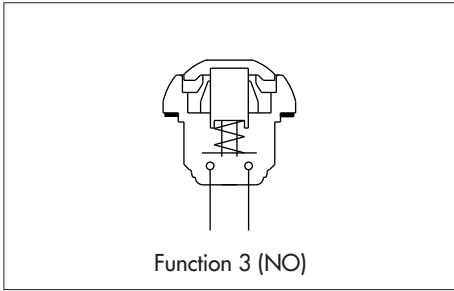
**Mounting accessories** : Standard hardware supplied : 1 flat seal (IB series)  
1 metal hex nut 14 mm (.551) across flats, part number U166, and 1 flat seal (IS series).  
Plastic nut 17 mm (.669) across flats, thickness 4 mm (.157) available on request. Part number U4248.



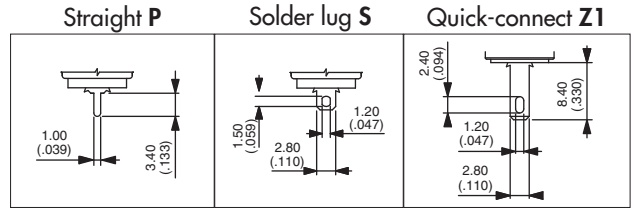
**Packaging unit** : 50 pieces

# IB and IS series

Sealed pushbutton switches - bushing Ø 12 mm - momentary



- Ten actuator colours
- Curved or flat actuator
- Antirotation bushing



## MODEL STRUCTURE



Actuator marking available on IBP and ISP models (symbol 10 mm max.). On request.

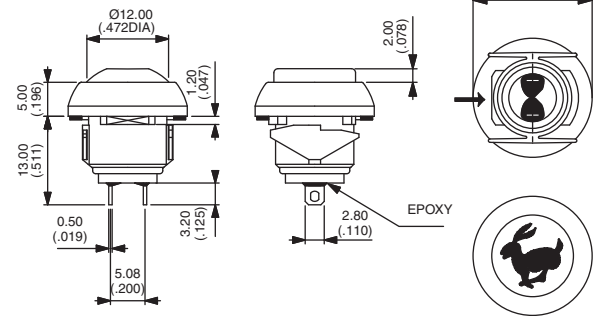
## Snap-in mounting - solder lug terminals

→ Flat

Panel thickness : 0,8 mm to 1,8 mm



- Curved actuator  
**IBR3SAD**           Normally open
- Flat actuator  
**IBP3SAD**           Normally open



Also available with straight PC : **IB•3PAD** or quick-connect terminals : **IB•3Z1AD**

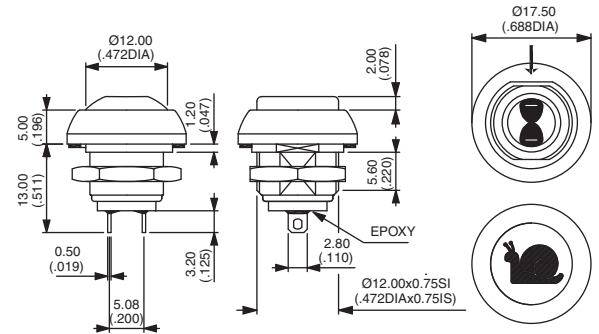
## Mounting by threaded bushing - solder lug terminals

→ Flat

Panel thickness : 1,5 mm to 4 mm



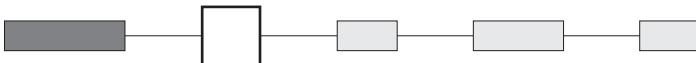
- Curved actuator  
**ISR3SAD**           Normally open
- Flat actuator  
**ISP3SAD**           Normally open



Also available with straight PC : **IS•3PAD** or quick-connect terminals : **IS•3Z1AD**

## ACTUATOR COLOURS

Actuator marking available on IBP and ISP models (symbol 10 mm max.). On request.



- 1 : blue - B : dark blue - 2 : black - 3 : green - 4 : grey - 5 : yellow - 6 : red - 7/1 : white - 8 : bright chrome  
9 : orange - A : satin chrome

## BUSHING AND BEZEL FINISH

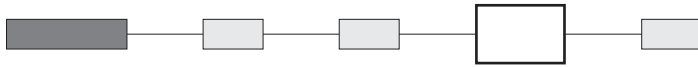


- 00 : Black (standard)  
08 : Bright chrome (IS series only)  
10 : White  
20 : Satin chrome (IS series only)

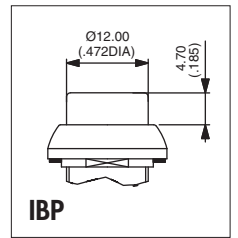
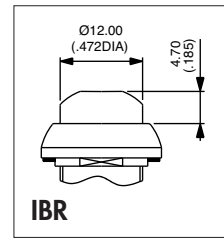
# IB and IS series

Sealed pushbutton switches - bushing Ø 12 mm - momentary

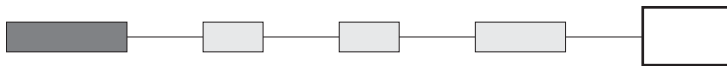
## ACTUATOR OPTION



104 : High actuator



## APPROVAL



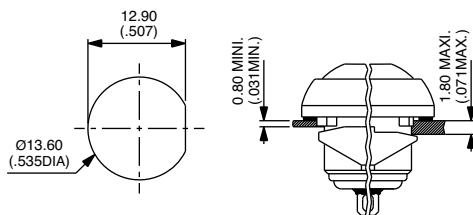
UL

**Availability** : consult factory for details of approved models.

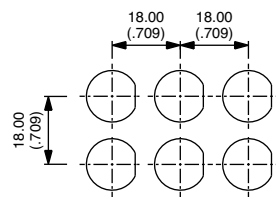
**Marking** : to order switches marked UL, complete above box with "UL".

## IB SERIES MOUNTING

### Panel cut-out

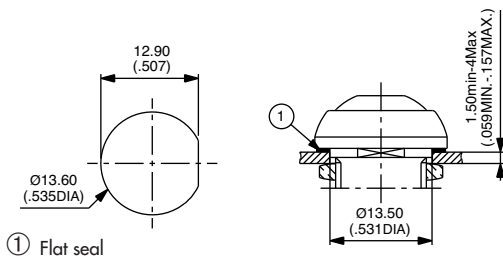


### Matrix mounting

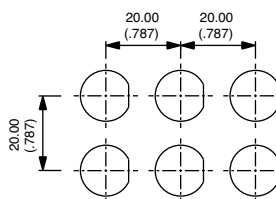


## IS SERIES MOUNTING

### Panel cut-out



### Matrix mounting



## Example of custom switch



ISR3FADB22X1248-01

- Painted bushing and actuator, soft feel
- Flying leads (55 mm) + connector
- Overmolded rear part